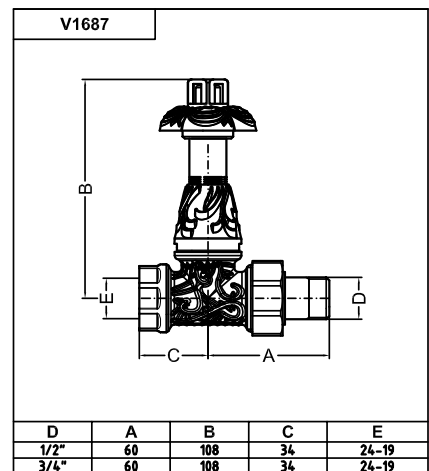
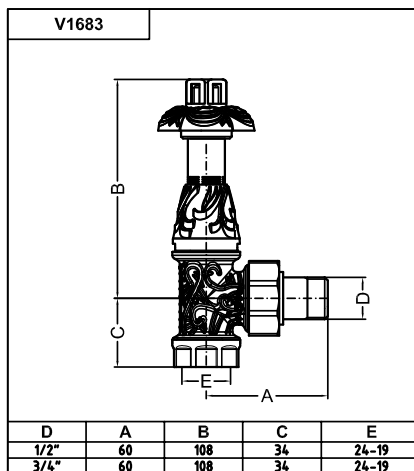
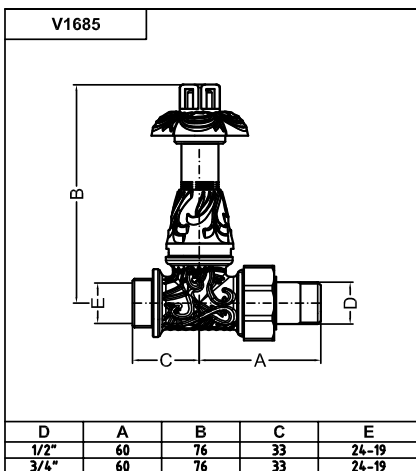
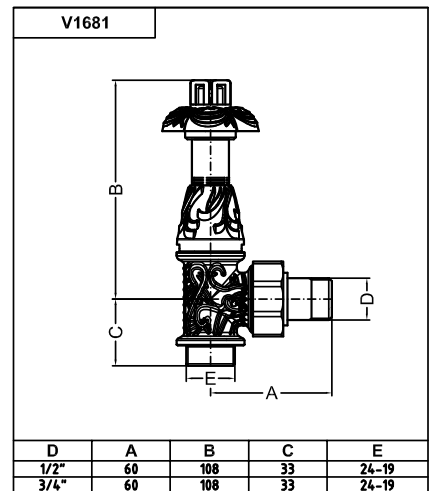
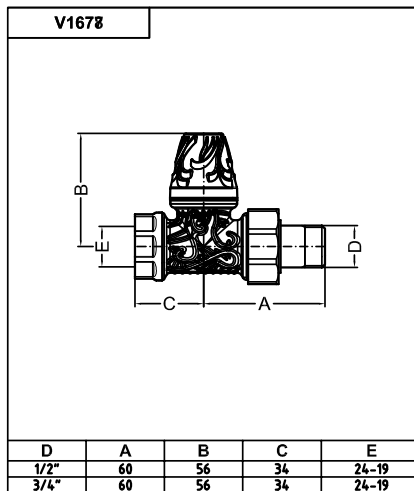
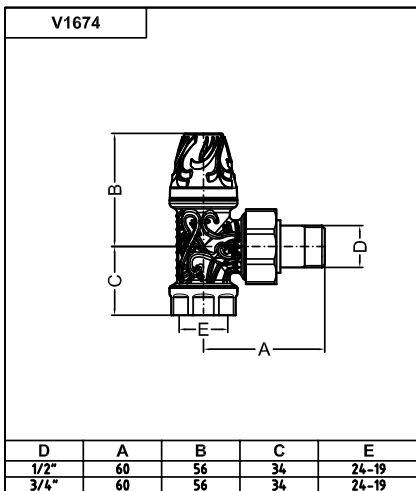
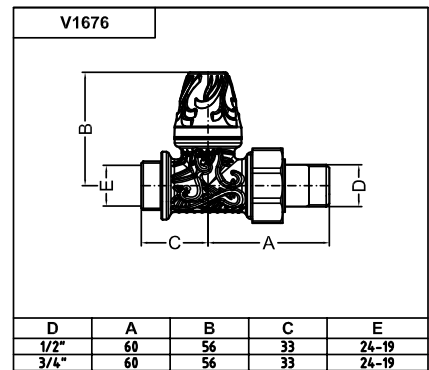
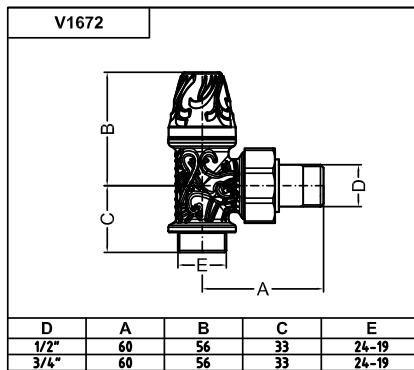
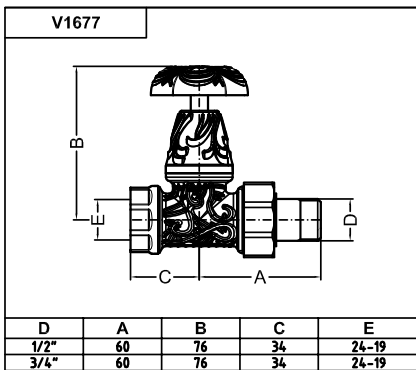
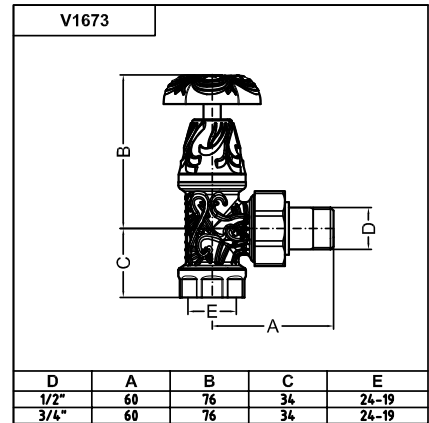
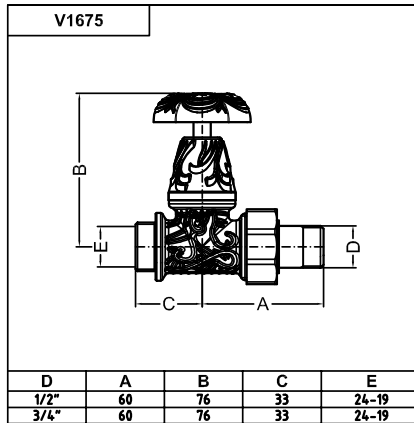
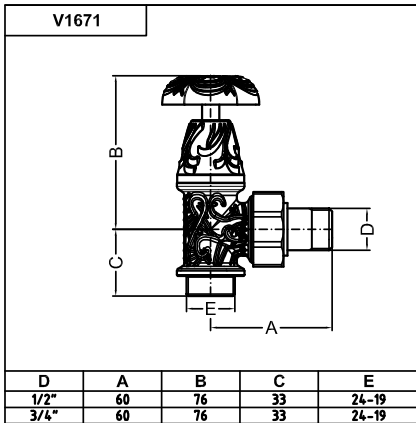


# TECHNICAL DRAWINGS

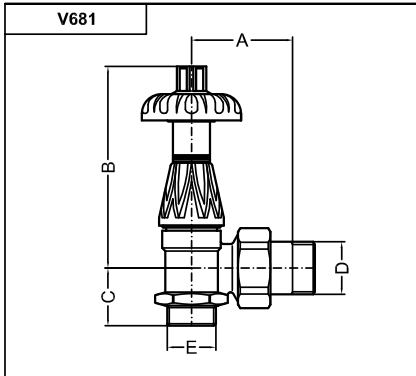
## Fleurielle Valve by Laurens

08.

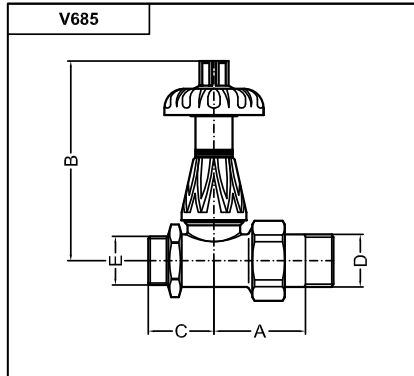


**TECHNICAL DRAWINGS**  
**Fleurielle Valve by Laurens**

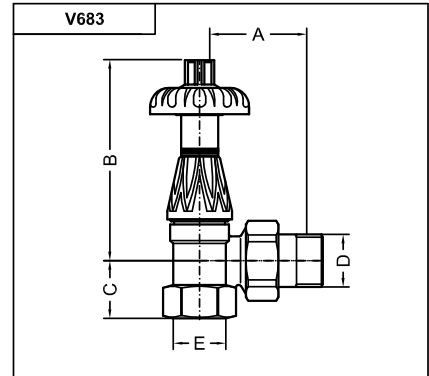
**08.**



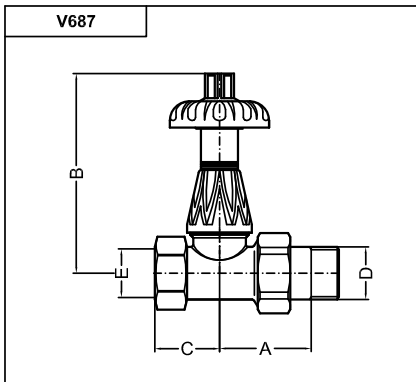
D	A	B	C	E
1/2"	52.5	100	28.5	24x19
3/4"	49.5	100	28.5	24x19



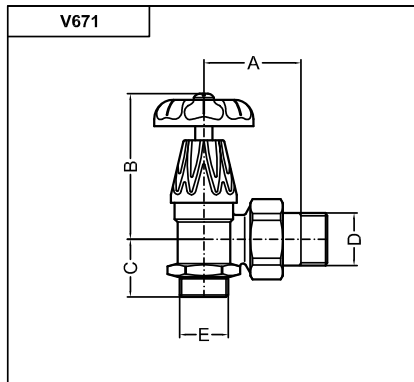
D	A	B	C	E
1/2"	49	99	32.5	24x19
3/4"	46	99	32.5	24x19



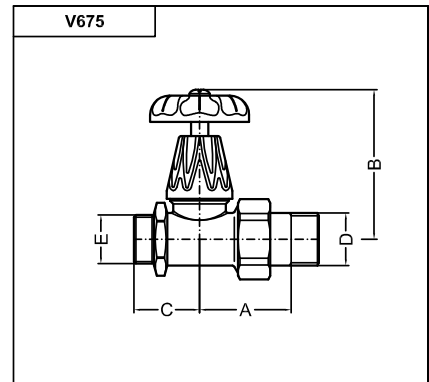
D	A	B	C	E
1/2"	52.5	100	28.5	1/2"F
3/4"	49.5	100	28.5	3/4"F



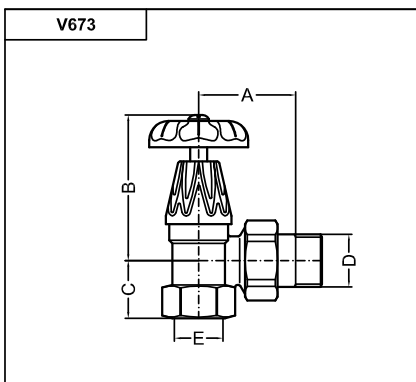
D	A	B	C	E
1/2"	49	99	32	1/2"
3/4"	46	99	32	3/4"



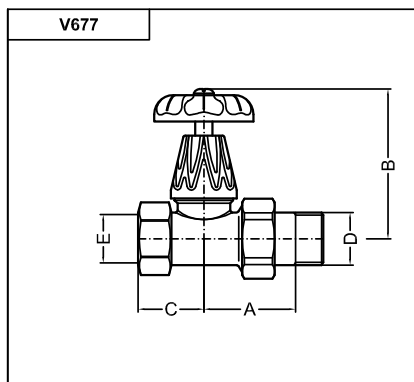
D	A	B	C	E
1/2"	55	72	28.5	24x19
3/4"	50	72	28.5	24x19



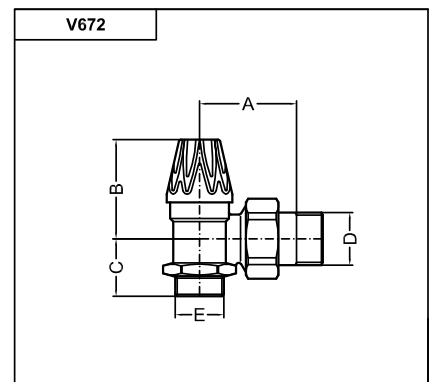
D	A	B	C	E
1/2"	49	74	32	24x19
3/4"	46	74	32	24x19



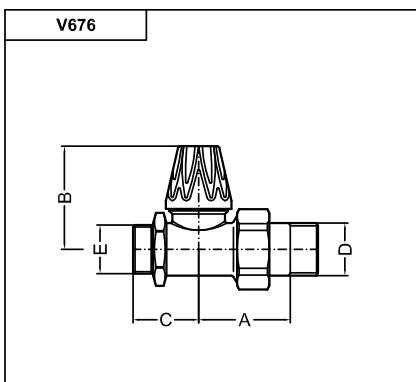
D	A	B	C	E
1/2"	55	72	28.5	1/2"F
3/4"	50	72	28.5	3/4"F



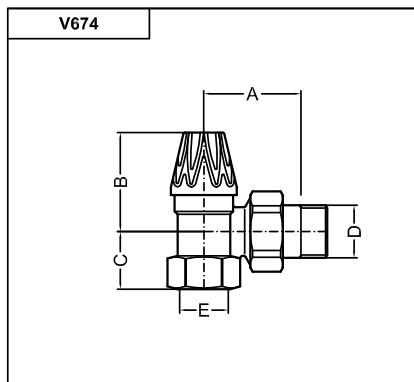
D	A	B	C	E
1/2"	49	74	32.5	1/2"F
3/4"	46	74	32.5	3/4"F



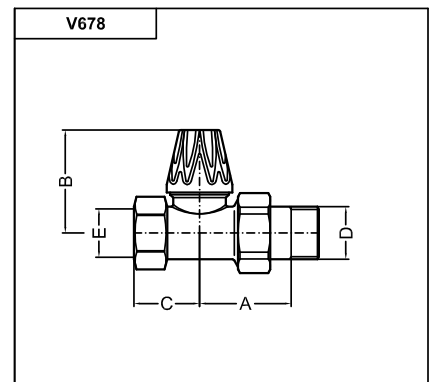
D	A	B	C	E
1/2"	55	49	28.5	24x19
3/4"	50	49	28.5	24x19



D	A	B	C	E
1/2"	49	51	32.5	24x19
3/4"	46	51	32.5	24x19



D	A	B	C	E
1/2"	55	49	28.5	1/2"F
3/4"	50	49	28.5	3/4"F



D	A	B	C	E
1/2"	49	51	32.5	1/2"F
3/4"	46	51	32.5	3/4"F